

31 SERIES

- RECTANGULAR INDICATOR LIGHTS FOR 1.281" X .395" MOUNTING HOLE
- 6" WIRE LEADS OR 3/16" OR 1/4" TAB TERMINALS
- NEON OR INCANDESCENT INDICATOR LIGHTS
- VARIETY OF LENS COLORS
- UL AND CSA LISTED • UL FILE E20356 • CSA FILE LR15284-5,8,12,17

Overview

The 31 Series Rectangular indicators feature a wide variety of lens colors and voltage options. Indicator lights quickly snap fit into a 1.281" x .395" (32.54mm x 10.03mm) mounting hole. Recommended panel thickness range from .020" minimum to .090" maximum. Lenses may be customized with stamped message. Contact your customer service representative for specific ordering information.

Specifications

Housing: white nylon. A black housing is available.

Bezel: zinc plated steel. A black anodized bezel is available.

Lens: polycarbonate. Lenses may be customized with stamped message.

Incandescent AC or DC voltage options: 6, 14 and 28 volts.

Neon AC or DC voltage options: 125 and 250 volts.

Note: high brightness green and blue neon lamps supplied in green and blue neon applications.

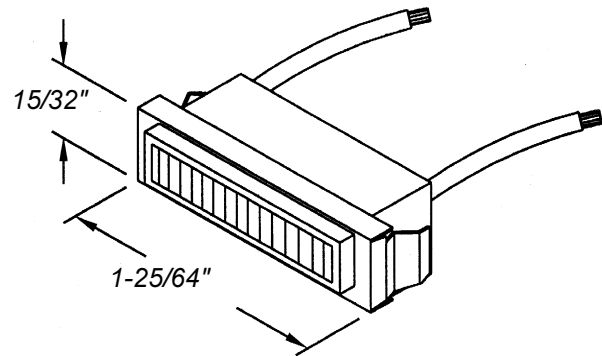
Wire leads:

6" leads: #18 AWG, black, bare copper, PVC insulated, UL/CSA rated 105° C, stripped 1/2". Custom wire lengths, stripping, termination and wire types are available.

Terminals:

1/4" tabs: brass, (1/4" length x 0.030" thick).

3/16" tabs: brass, (3/16" length x 0.020" thick).

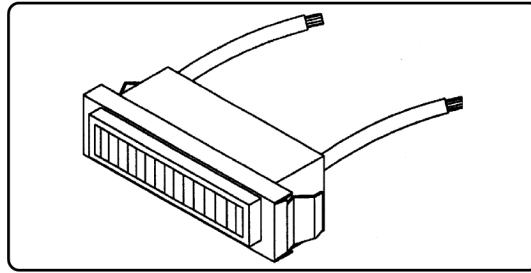




**SNAPFIT INDICATOR LIGHTS
FOR 1.281" x .395" MOUNTING HOLE**



**31 Series
Zinc Plated Bezel
White Nylon Housing
Neon or
Incandescent**



**6" Wire Leads or
3/16" Tab Terminals or
1/4" Tab Terminals
SnapFit Mounting
Variety of Lens Colors**

Part Number 6" Wire Leads	Part Number 1/4" Tab Terminals	Part Number 3/16" Tab Terminals	Lens Color	Lamp Type	Design Volts	Design Watts or Amps	Life (hrs)
31-2111	31-2111T	31-2111T3	Red	Neon	125	1/3W	25,000
31H-2111	31H-2111T	31H-2111T3	Red	Neon	250	1/3W	25,000
31G1-2111	31G1-2111T	31G1-2111T3	Red	Incandescent	6	.20A	5,000
31G3-2111	31G3-2111T	31G3-2111T3	Red	Incandescent	14	.10A	10,000
31G18-2111	31G18-2111T	31G18-2111T3	Red	Incandescent	28	.04A	7,000
31-2112	31-2112T	31-2112T3	Green	Neon	125	1/3W	25,000
31H-2112	31H-2112T	31H-2112T3	Green	Neon	250	1/3W	25,000
31G1-2112	31G1-2112T	31G1-2112T3	Green	Incandescent	6	.20A	5,000
31G3-2112	31G3-2112T	31G3-2112T3	Green	Incandescent	14	.10A	10,000
31G18-2112	31G18-2112T	31G18-2112T3	Green	Incandescent	28	.04A	7,000
31-2113	31-2113T	31-2113T3	Amber	Neon	125	1/3W	25,000
31H-2113	31H-2113T	31H-2113T3	Amber	Neon	250	1/3W	25,000
31G1-2113	31G1-2113T	31G1-2113T3	Amber	Incandescent	6	.20A	5,000
31G3-2113	31G3-2113T	31G3-2113T3	Amber	Incandescent	14	.10A	10,000
31G18-2113	31G18-2113T	31G18-2113T3	Amber	Incandescent	28	.04A	7,000
31-2114	31-2114T	31-2114T3	Blue	Neon	125	1/3W	25,000
31H-2114	31H-2114T	31H-2114T3	Blue	Neon	250	1/3W	25,000
31G1-2114	31G1-2114T	31G1-2114T3	Blue	Incandescent	6	.20A	5,000
31G3-2114	31G3-2114T	31G3-2114T3	Blue	Incandescent	14	.10A	10,000
31G18-2114	31G18-2114T	31G18-2114T3	Blue	Incandescent	28	.04A	7,000
31-2115	31-2115T	31-2115T3	White	Neon	125	1/3W	25,000
31H-2115	31H-2115T	31H-2115T3	White	Neon	250	1/3W	25,000
31G1-2115	31G1-2115T	31G1-2115T3	White	Incandescent	6	.20A	5,000
31G3-2115	31G3-2115T	31G3-2115T3	White	Incandescent	14	.10A	10,000
31G18-2115	31G18-2115T	31G18-2115T3	White	Incandescent	28	.04A	7,000
31-2117	31-2117T	31-2117T3	Clear	Neon	125	1/3W	25,000
31H-2117	31H-2117T	31H-2117T3	Clear	Neon	250	1/3W	25,000
31G1-2117	31G1-2117T	31G1-2117T3	Clear	Incandescent	6	.20A	5,000
31G3-2117	31G3-2117T	31G3-2117T3	Clear	Incandescent	14	.10A	10,000
31G18-2117	31G18-2117T	31G18-2117T3	Clear	Incandescent	28	.04A	7,000